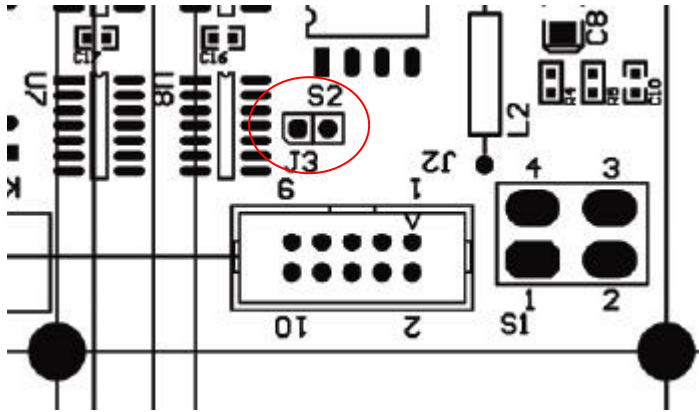


## Serial Communication (Optional)

USB Series products can connect to two kinds of extension boards (optional), which can support serial communication. (RS-232 or RS-422/485) And when using serial communication, please set the jumper which is close to the 2x5 header on the board and remove USB cable to avoid interference.

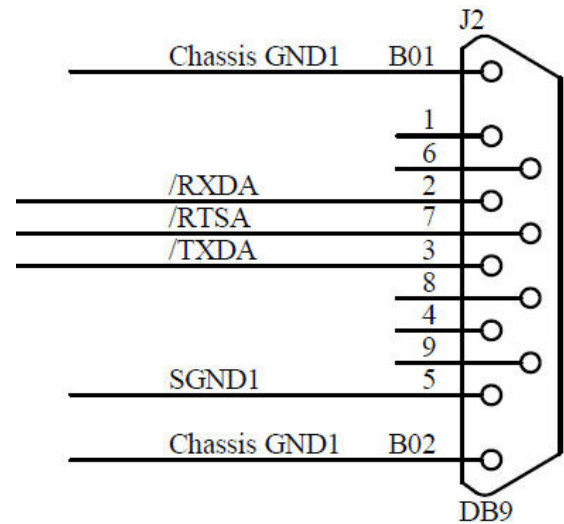
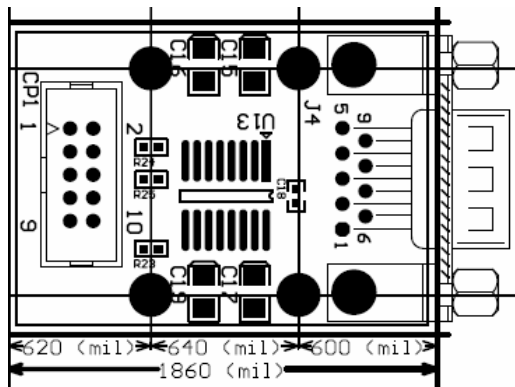


**Open:** Serial Port Disable

**Short:** Serial Port Enable

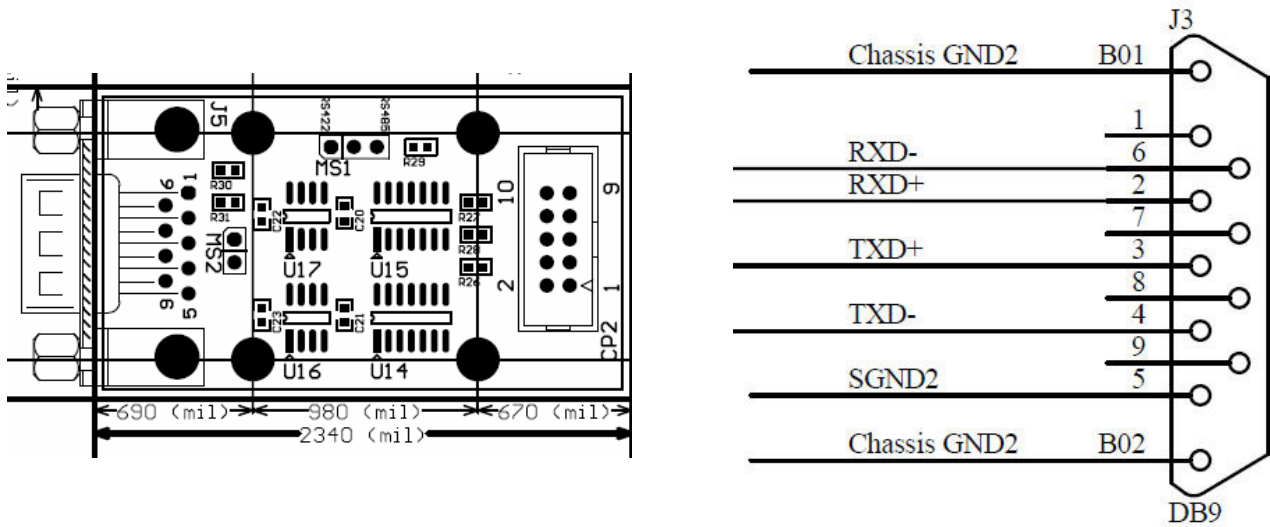
Pin assignment for DB9

### RS-232 Kit



Pin Num	Signal Name	Pin Define
5	SGND	Signal Ground
7	Request to Send(RTS)	Output
2	Receive Data(RxD)	Input
3	Transmit Data(TxD)	Output

## RS-422/485 Kit



### RS-422

Pin Num	Signal Name	Pin Define
2	Receive Data+(RxD+)	Input
3	Transmit Data+(TxD+)	Output
4	Transmit Data-(TxD-)	Output
6	Receive Data-(RxD-)	Input

### RS-485

TRD+ signal means short pin 2 and pin 3, and TRD- signal means short pin 4 and pin 6. The RS485 communication is based on cable sharing method, which is connected as following:

Pin Num	Signal Name
2,3	Transmit Data+/Receive Data+(TRD+)
4,6	Transmit Data-/Receive Data-(TRD-)